

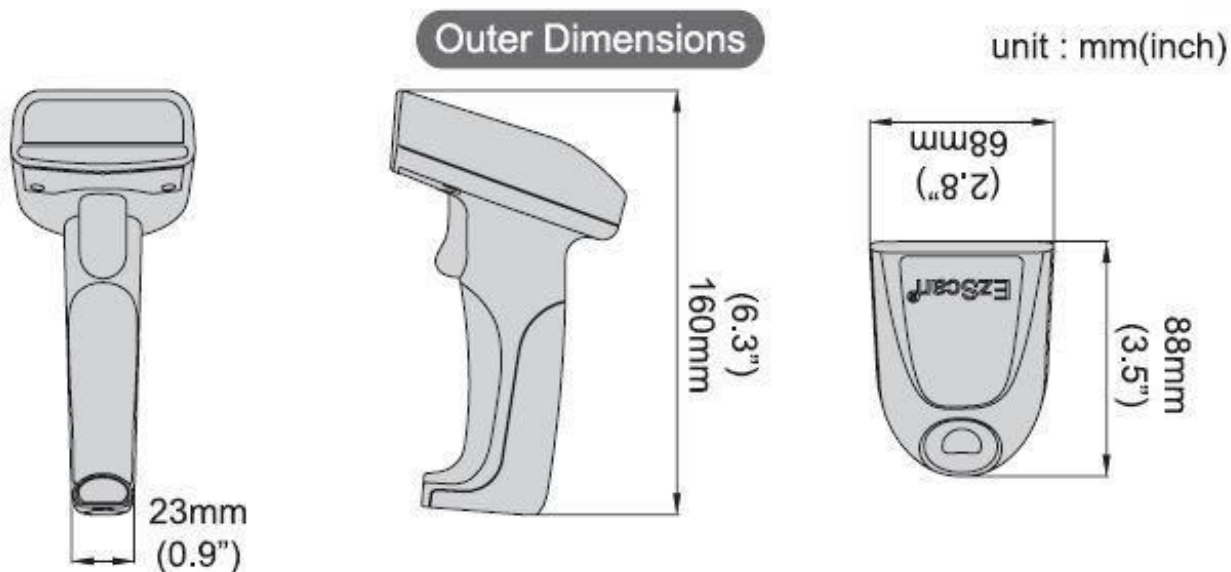
TEKX LASER BARCODE SCANNER LX200

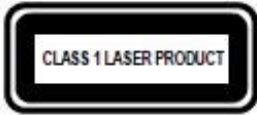


SPECIFICATIONS:

<p>Light Source: Laser diode: 650 nm Class 1 laser scanner Scan Rate: 200 Scans/Sec Resolution: 4 mil (PCS=90%) Print Contrast Ratio: 60% D.O.F: CODE-39 : 60~110 mm @ 4 mil CODE-39 : 80~120 mm @ 5 mil CODE-39 : 30~280 mm @10 mil CODE-39 : 20~350 mm @ 15 mil</p>	<p>Housing Material: ABS Impact Tolerance : 1.8M Dimension: L160 x W69 x H88 mm Weight: 130 ± 20g (without Cable) Operation Voltage: 5 VDC ± 5% Operating Temperature: 0~45°C Storage Temperature: -20~60°C Relative Humidity: 20%~85%RH Cable Type :USB,PS2,RS232</p>
---	--

SYMBOLOLOGIES: UPC-A/UPC-E, EAN-8/EAN-13, Industrial 2 of, 5, Codabar, Matrix 2 Of 5, Code 11, Code 93, Code 32, Code 128, Standard Code 39, Full ASCII Code 39, Interleaved 2 of 5, China Postal Code, EAN/UCC 128





Optimized Reading Accuracy on Screen

The productive optical structure pointedly integrates a solid firmware portfolio with unique decoding algorithm.



Ergonomic Green Design

Working currents of the LX200 considerably drop down to 100mA or even less, which is more than 140% improvement comparing with regular Laser scanners*. The Green design is compliant with RoHS restriction and its Green concept can also be adapted to wireless applications in the future.



Reading from Screen



Reading color barcode

Features

- 4 mil high density barcode is readable
- Reading performance up to PCS 10%
- Highest scan rate: 200 scans/sec
- Sharp and bright light beam reads thin barcodes accurately and correctly.

KODIS INFO SRL
Bucharest, ROMANIA,
email : sales@kodis.ro

